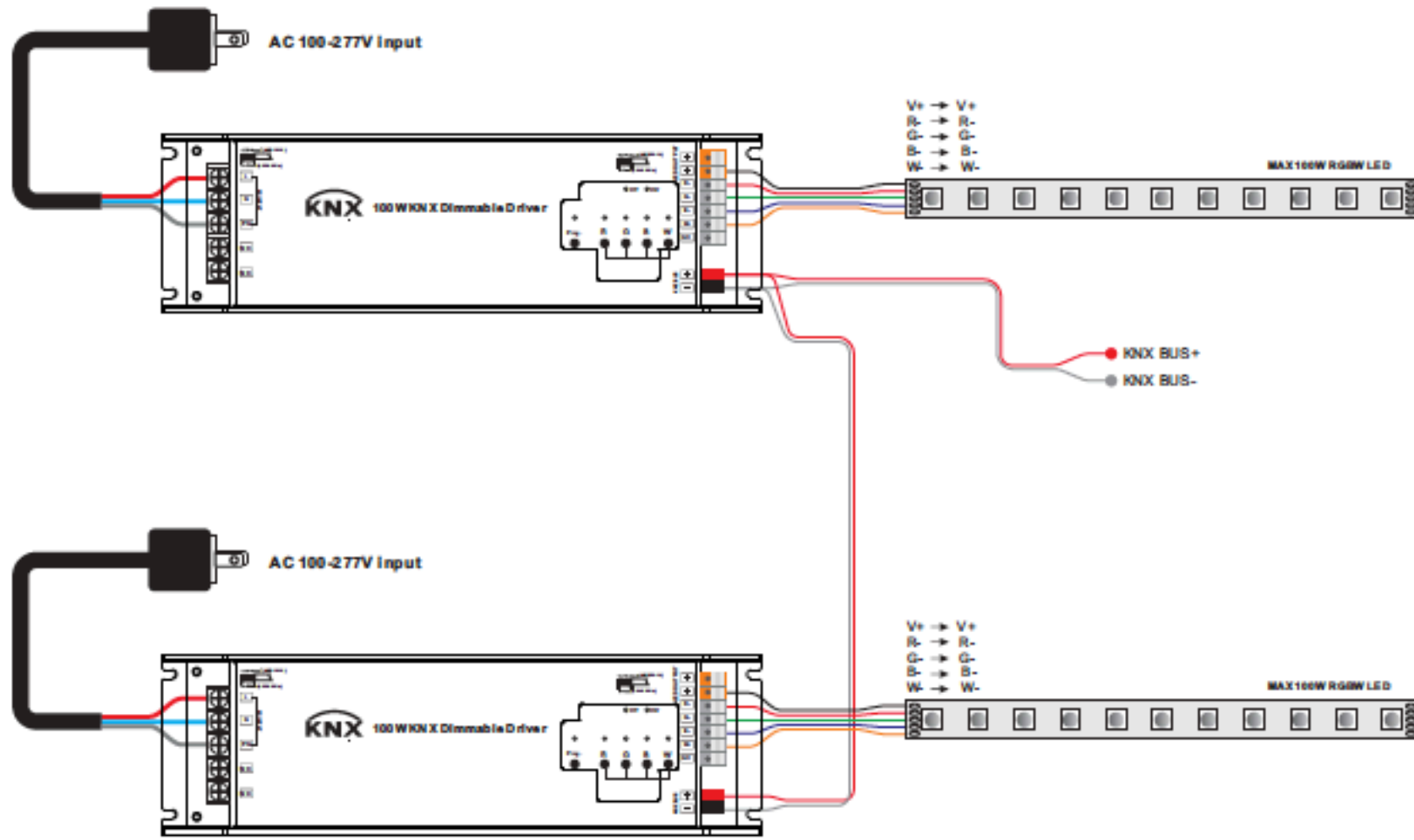


Wiring diagram



Product Dimension

