

## General Description



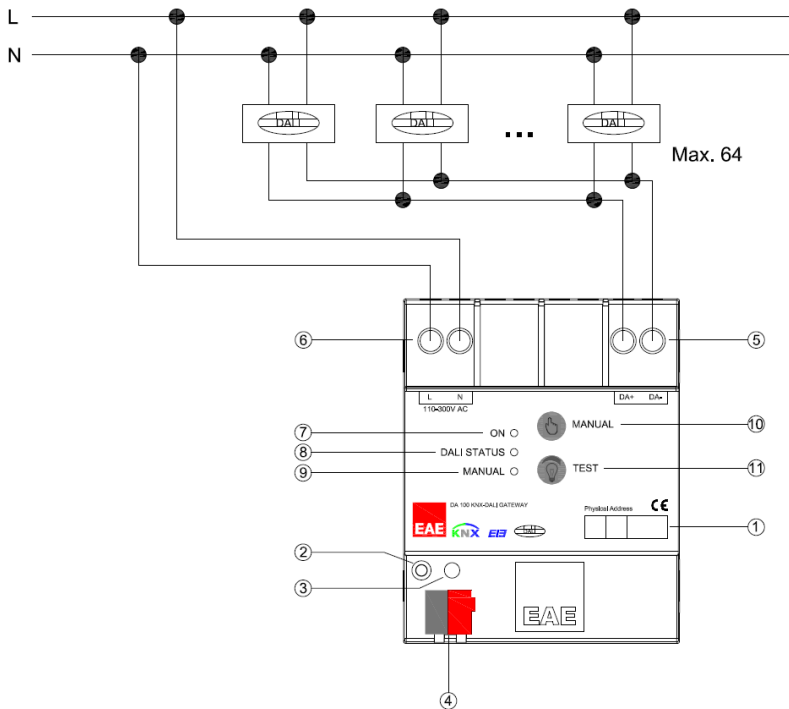
- DA110 KNX-DALI Gateway operates as an interface device between KNX bus and DALI bus (According to DALI Standard-IEC 62386). DALI line power supply is integrated in the device.
- Maximum 64 DALI devices (e.g. electronic ballast, transformer, LED driver, ECK) can be connected to DALI output.
- DA110 enables to control 64 DALI devices separately and can store 16 different lighting scenes.
- Addressing and test operations of DALI devices is made via Windows based PC software. (EAE DALI Tool)
- DA110 can manage DALI ECK (emergency conversion kit) devices by means of downloading configured automatic test schedules, triggering tests and monitoring test results as well as other ECK fault conditions.
- Fault statuses of DALI devices can be monitored by device based via different communication objects on the KNX.

## Technical Data

<b>Type of protection</b>	IP 20	EN 60529
<b>Safety class</b>	II	EN 61140
<b>KNX supply<sup>(4)</sup></b>	Voltage Current consumption	21 - 30V DC, SELV < 10mA
<b>Mains supply<sup>(6)</sup></b>	Voltage Power consumption Current consumption	85 - 300V AC @ 50-60Hz Max. 8W 100mA @ 85V AC
<b>DALI supply<sup>(5)</sup></b>	Voltage Current	16V DC typical Max. 200mA
<b>Connections</b>	Screw terminals  Max tightening torque KNX terminal	0,05 - 2,5mm <sup>2</sup> solid wire 0,03 - 1,5mm <sup>2</sup> stranded wire 0.5Nm Red - grey bus connect terminal
<b>Output</b>	Number of DALI devices Cable lengths	Max. 64 (include max. 8 sensor) 1.5 mm <sup>2</sup> Max. 300 m 0.75 mm <sup>2</sup> Max. 150 m 0.5 mm <sup>2</sup> Max. 100 m
<b>Installation</b>	35mm mounting rail	EN 60715
<b>Operating elements</b>	Programming LED and button <sup>(2) (3)</sup> Green LED <sup>(7)</sup> Yellow LED <sup>(8)</sup>  Red LED <sup>(9)</sup> Manual button <sup>(10)</sup>  Test button <sup>(11)</sup>	Physical address localization Power OK Initialization active (fast blink) A DALI device fault present (slow blink) DALI line power failure (constant on) Manual operation active Activate the manual control over test button Switch-dim DALI output (manual mode must be activated.)
<b>Temperature range</b>	Ambient Storage	-5°C +45°C -25°C +55°C
<b>Humidity</b>	Max. air humidity	95% no moisture condensation
<b>Dimensions</b>	Width W in mm	70 x W x 91mm 69mm

	Width W in units	4 modules (18mm modules)	
<b>Weight</b>		0.15 kg	
<b>Box</b>	Plastic, polycarbonate, colour grey		
<b>CE</b>	In accordance with the EMC guideline and low voltage directive		
<b>Application program</b>	Communications object count	Number of addresses (max)	Number of assignments (max)
	249	254	255

### Connection Example



### Scale Drawings

