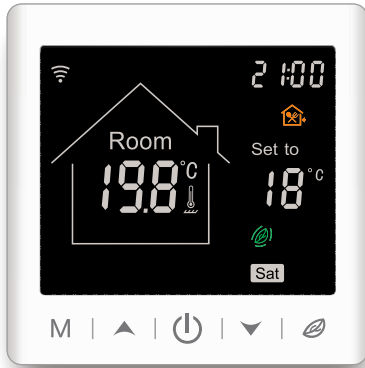


# Week-programme thermostat with ultra-large LCD screen

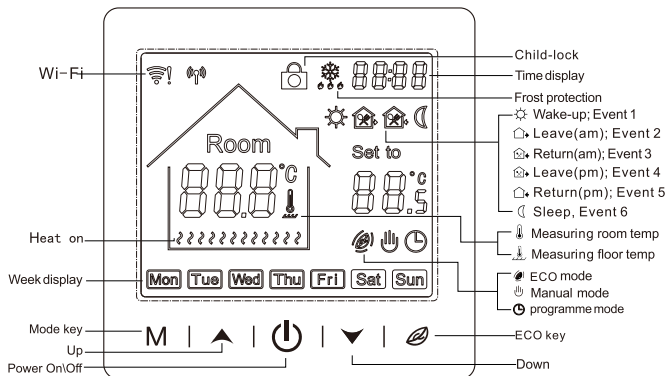
- ✓ Sail-shape curved design—fashion, elegant and timeless.
- ✓ Ultra-large screen—nicer and better user experience.
- ✓ Can be individually tailored to personal routines—up to 6 heating events can be set separately.
- ✓ Recommended for control of electric heating device or on/off valve actuator in hydronic underfloor heating.



## Parameter

Supply voltage	AC230V±10%; 50~60Hz
Power consumption	1W Max (3W MAX with Wi-Fi)
Temp. setting range	5~95°C; Max 35~95°C adjustable
Floor limited range	5~60°C; factory setting 35°C
On/off differential	0.5~10 °C adjustable; factory setting±1°C
Ambient temperature	-5~50°C
Degree of protective	IP20
Housing material	Anti-flammable PC

## Display symbols



- Manual mode**  
Thermostat works according to the manual-set temperature totally, not clock-controlled programme.
- Clock-controlled programme mode**  
Programme is circled weekly; for each week up to 6 heating events can be set separately. Heating events, weekday and temperature can be individually tailored to personal routines.
- Temporarily set in programme mode**  
Thermostat works according to the manual-set temperature temporarily and then shifts back to clock-controlled programme until next event.

## User operation

- Press “ M ” shortly to change manual and clock-controlled programme mode.  
Press “ M ” for 3 seconds to edit week programme.
- Press “ ” shortly to turn on/off the thermostat.
- Press “ ” for 3 seconds to edit time and date.
- Press “ ” or “ ” shortly to change setting temperature by 0.5°C.
- Press “ ” and “ ” at the same time over 3 seconds to activate child lock, “ ” appears.  
To deactivate, press again. “ ” disappears.

## Week programme

Press “ M ” for 3 seconds to edit week programme.

Events	Symbols	Time		Temperature		
		Factory setting	Modify	Factory setting	Modify	
Weekdays	1		06:00	Press “  ” or “  ”	20°C	Press “  ” or “  ”
	2		08:00		15°C	
	3		11:30		15°C	
	4		12:30		15°C	
	5		17:00		22°C	
	6		22:00		15°C	
Weekends	1		06:00	Press “  ” or “  ”	20°C	Press “  ” or “  ”
	2		08:00		15°C	
	3		11:30		15°C	
	4		12:30		15°C	
	5		17:00		22°C	
	6		22:00		15°C	

## Advanced setting (qualified electrician preferred)

When in Off mode, press “ M ” for 3 seconds to enter advanced setting mode. Re-press M to next step; Press “ ” to save and exit advanced setting mode.

Display	Meanings	“  ” or “  ”
1 1ADJ	Temp. calibration	Check and calibrate measured temperature.
2 2SEN	Sensor setting	IN: Controlled via built-in sensor OUT: Limited via floor sensor ALL: Controlled via built-in sensor and limited via floor sensor
3 3LIT	Floor limited temp.	5~60°C; Factory setting is 35°C
4 4DIF	On/off differential	0~10°C; Factory setting is ±1°C
5 5LTP	Frost protection	ON: frost protection on OFF: frost protection off
6 6PRG	Week programme setting	12345: 5/2 week mode 123456: 6/1 week mode 1234567: 7/0 week mode OFF: Deactivate week programme
7 7RLE	Status of potential-free and main power outputs	00: both outputs are normal-open 01: main power output is normal-close; potential-free output is normal-open, 02: both outputs are normal-close 03: both outputs are normal-close; when in Off mode, frost protection is off either.
8 8DLY	Delay time of outputs	0~5min (interval between actions of potential-free and main power outputs)
9 9HIT	Max temp. setting	35~95°C
A AFAC	Reset to factory setting	Press “  ” for 3 seconds to reset to factory setting

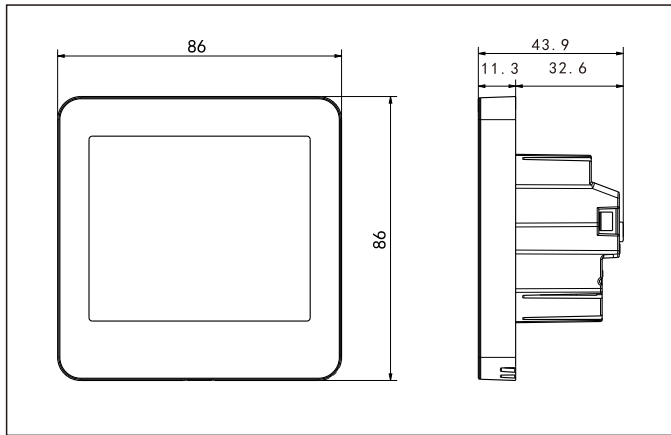
**Sensor failure**

Please select working modes of sensors correctly. When shows E0/E1 error, thermostat will be in Off mode until the error is eliminated.

E0: built-in sensor is short-circuited or disconnected.

E1: floor sensor is short-circuited or disconnected.

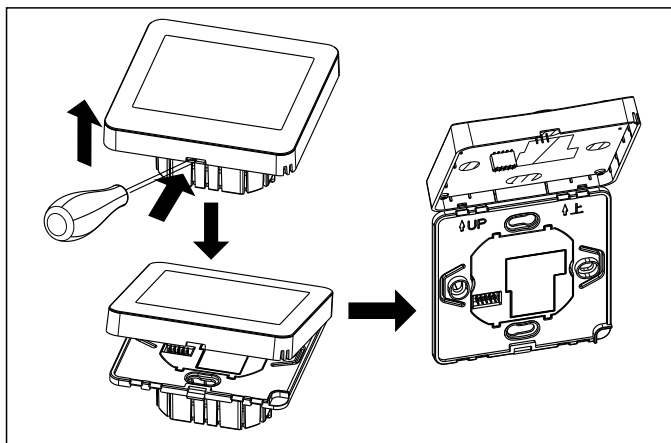
**Dimension (mm)**



**Mounting steps**

The thermostat adopts “ pre-guide and limited snap-fit ” design, easy to mount.

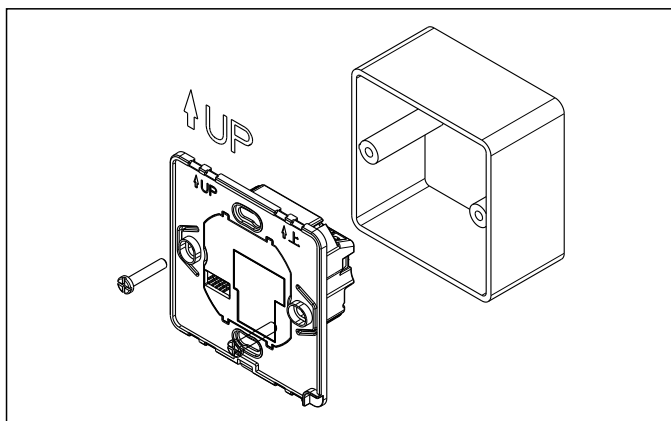
- 1) Release front cover by inserting a head screw-driver into bottom crack.



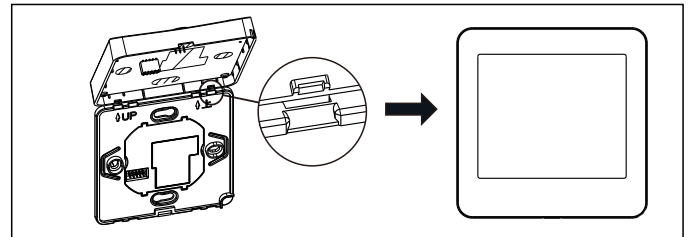
- 2) Insert the wires and then fix these wires with screws. Suggested wire-stripping length is 7-9mm.

- 3) Mount backing plate into wall-cassette, put screws and then fix thermostat. Make sure that the thermostat is fixed without deformation.

Suggested torque is 0.2~0.4N.m (2.0~4.1kgf.cm) .



- 4) Re-mount the front cover via snap-fit connection.



**Attention**

- 1) Installation must be done by a qualified electrician.
- 2) Before installation, please check whether it conforms to local electric standards.
- 3) Please match 86mm standard wall-cassette to ensure that the thermostat can be installed and operated properly.
- 4) During installation, please make sure front cover is well preserved to avoid crushing.
- 5) Power supply must have been turned off when cleaning the thermostat. Please wipe dust and dirt with a soft rag or paper towel. Do not use any cleaners or corrosive chemical solvents.

**Selection table**

Model	Current	Application
703	3A	Built-in & floor sensor, floor limit sensor, week programme, a NC/NO dual-output.
716	16A	Built-in & floor sensor, floor limit sensor, week programme.
723	3A	Built-in & floor sensor, floor limit sensor, week programme, a potential-free output.

**Connecting Diagram**

The thermostat is applied to full load in areas with the altitude of less than 2500m above sea level.

Power rating of external load should be less than or equal to 80% rated power of the thermostat in areas with altitude of 2500m to 4200m.

