

CD100

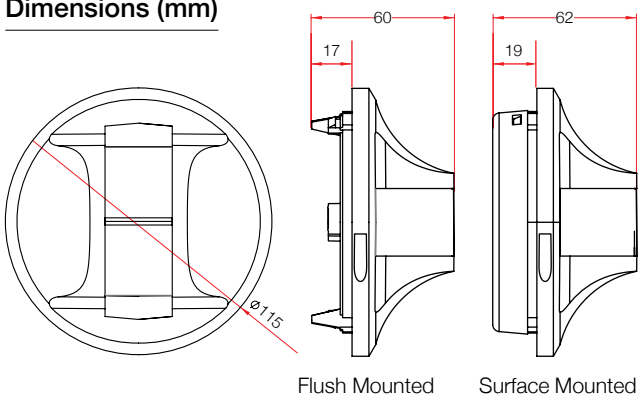
EAE KNX CORRIDOR SENSOR



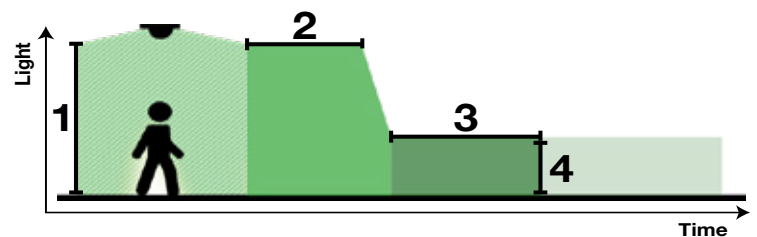
General Specifications

- The CD100 KNX Corridor Sensor is developed for corridors, warehouses and car parking spaces. It has two mounting options which are flush mounted and surface mounted. (recommended max. height 4.5m)
- Depending on the entity, a constant light function can be applied with the integrated brightness and motion sensor. The existing light may be compared with the desired level of light and an adequate level will be provided.
- The sensor has corridor function feature. Through to this feature presence, absence, stay on time and switch off delay values can be adjustable via KNX. (Corridor function graph)
- It can operate in parallel connection with other sensors either on standalone or master-slave basis depending on application requirements.
- Based on the state of use of the external controls (button, switch, other sensors, etc.) full or semi automatic operating modes could be set-up.
- Test and calibration modes are convenient during installation.
- Does not need for external supply. It receives its power over KNX line.

Dimensions (mm)



Corridor function graph



- 1 Presence value** : Luminous intensity set for the presence of persons
- 2 Stay on time** : Delay time
- 3 Switch off delay** : Period of time during which the absence value is maintained before the lighting is switched off.
- 4 Absence value** : Luminous intensity set for the absence of persons

Technical Information

Protection Type	IP 20 / IP 44 (Surface Mounted) IP 20 (Recessed)	EN 60529
Safety Class	II	EN 61140
Supply	Voltage range Current consumption	21 - 30V DC, KNX line < 10mA
Application areas		Indoors, Corridors, Car parks, Warehouses
Sensor Type		Passive infrared
Installation	Location Recommended height	Flush / Surface Mounted 2.5 m – 4.5 m
Detection	CD100 Coverage (at 3 m height) Angle Light Level	12x4 m coverage (radial walk) 20x6 m coverage (tangent walk) 180° aisle 100 – 1000 lux
Additional Channels		Illumination level, movement channel, HVAC ch.
Parallel Operation		Master/Master, Master/Slave
Operating Elements	LED (Red) and button	Used to program the device
Operating Temperature	Operation Storage Transportation	- 5°C +45°C -25°C +55°C -25°C +70°C
Dimensions		Flush Mounted; (H) = 60 mm x (Ø) = 115 mm Surface Mounted; (H) = 62 mm x (Ø) = 115 mm
Weight		Flush Mounted; 83g Surface Mounted; 97 gr
Ceiling section dimension		Ø 102 mm (4inch)

